

Wall Mount Scale (In Room Mini)

Model SR7005i

The ultimate space saver. Designed for flush wall mount, the SR7005i platform is ideal for in-room or clinical use where space is at a premium.

The low profile weighing surface makes the scale easy to ambulate onto when deployed. When not in use the scale can be folded up and only requires 2-1/2" of floor space.

Constructed of heavy-duty aluminum plate, the SR7005i has a weight capacity of 660 Lbs. Lowering the scale is both easy and safe through the use of a damper. Pull the platform from its magnetic latch and allow the scale to slowly lower itself to the floor.

It's there when you need it and cleanly out of the way when you don't.



Platform size: 18" x 20"

ANTIMICROBIAL

SR Scales contain antimicrobial technology for powerful, continuous product protection against bacteria.

AUTO-WEIGH

The scale will automatically turn on, lock in a stable weight, and send a record of the weight, date, and time stamp to the optional printer. (BMI can also be calculated and added to the record.)

MEMORY

Recalls the last stored weight.

POWER

Medical grade AC wall power supply or (6) "C" cell batteries

BMI CALCULATION

Enter height information to calculate and display Body Mass Index.

EHR/EMR READY

Serial data output can be used to communicate with electronic health records through send or get commands.

OPTIONAL EQUIPMENT

Thermal printer



4 YEAR
WARRANTY






MADE IN
THE USA

Wall Mount Scale

Model SR7005i



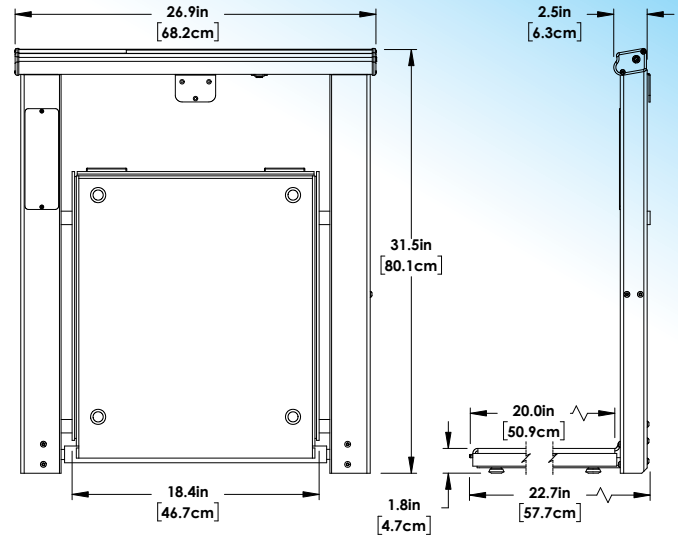
SYSTEM SPECIFICATIONS

MAX WEIGHT	660 Lb / 300 Kg
DISPLAY TYPE	16 Character LCD w/ LED Backlight
DISPLAY RESOLUTION	0.1 Lb/Kg
ACCURACY	0.1% +/- 1 digit of displayed resolution
DISPLAY UNITS	Pounds / Kilograms
POWER	Medical grade AC Wall Power Supply and/ or (6) "C" cell batteries.
AUTO POWER DOWN (APD)	Programmable on-time.
AUTO WEIGH/PRINT	The scale will automatically turn on, lock in a stable weight, and print (printer optional).
MEMORY 	Last stable weight is automatically stored in memory. Press RECALL to retrieve.
AUTO ZERO	Scale will automatically zero when the platform is folded down.
BMI CALCULATION 	Press BMI and input height. Press ENTER to view BMI information.
SERIAL DATA OUTPUT (EHR) 	9-pin serial data output can be used to send weight data to optional printer or EHR/EMR Systems.
REMOTE PRINTER (Optional)	Stored information may be sent to the a thermal printer and may include: Weight/Time/Date/BMI.
WARRANTY	4 years

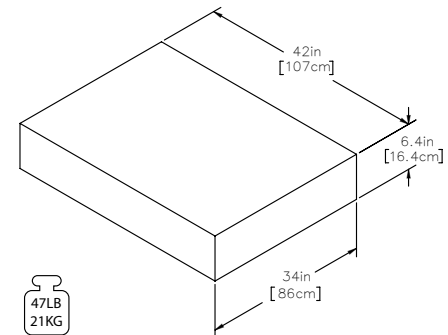
ACCESSORIES AND OPTIONS

DESCRIPTION	PART NUMBER
KILOGRAM ONLY SCALE	SR7005i-KG
WALL MOUNTED HEIGHT ROD	SR8591
PRINTER KIT Includes FRAP1300, FRTP130012C, FRBC1300, FRAP1300-D9, and all mounting hardware	SR8327
REPLACEMENT PAPER	FRTP130012C
REPLACEMENT SCALE POWER SUPPLY	FRGSM06U09P1J

DIMENSIONS in [cm]



PACKAGING



Specifications subject to change without notice.