

# Table Top/Floor Scale

## Model **SRV411i** and **SRV415**

The SRV411i and SRV415 scales are sleek, innovative, and provide years of reliable service and accurate weight data. Designed to be low profile and durable, these scales are ideal for small to medium size animals where space is a premium, yet a weighing solution is needed.

The scale's large 23" x 15" platform can be easily moved throughout a facility. The aluminum casting makes it possible for owners to tare their own weight while holding their pet to achieve an accurate weight.

The scales are coated with a durable non-slip polyurea coating to reduce the fear animals often have with slipping on scales.



### **SOLID CAST ALUMINUM CONSTRUCTION**

Durable, stable, and easy to clean.

### **LOW PROFILE DESIGN**

Easy and safe access to weighing surface.

### **CONTOURED BASE**

Unique beveled edges slope upwards to the scale platform. The entire top of the scale, including the beveled edges are part of the weighing surface.

### **MEMORY RECALL**

Automatically stores the last stable weight.

### **WALL MOUNTED DISPLAY - SRV411i**

Ensures height flexibility and proper placement of easy-to-use large digital readout.

### **BUILT-IN DISPLAY - SRV415**

Scale is highly portable with easy to use built-in, large digital readout.

### **SERIAL EHR/EMR READY**

Data output can be used to communicate with Electronic Health Records.

\*SRV411i only\*

# Table Top/Floor Scale

## Model SRV411i and SRV415

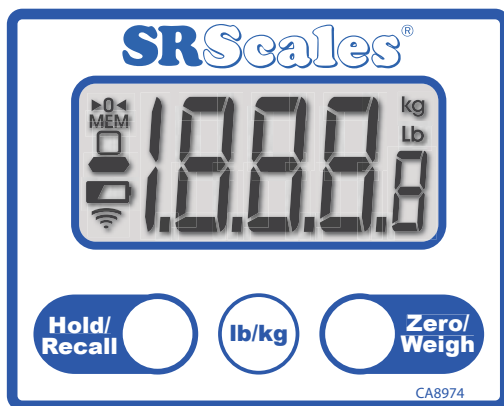
**SR Scales**®

by SR Instruments, Inc.

Quality. Reliability. Accuracy.

### SYSTEM SPECIFICATIONS

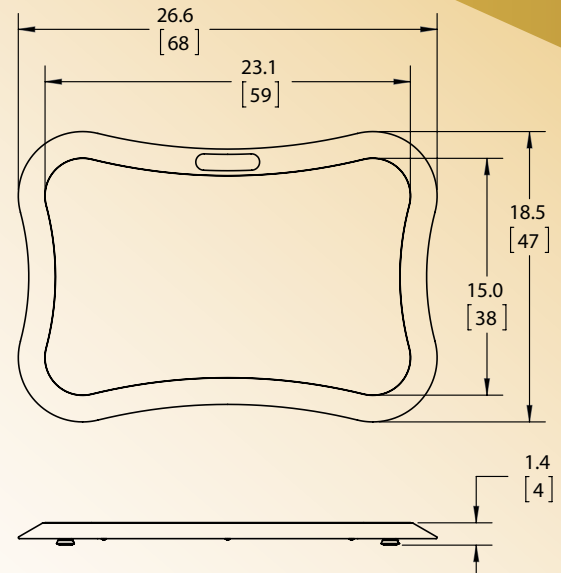
<b>MAX WEIGHT</b>	500 Lbs. / 227 Kgs.
<b>DISPLAY TYPE</b>	1" digit LCD
<b>DISPLAY RESOLUTION</b>	.1 Lb / .1 Kg
<b>BUTTON FUNCTIONS</b>	Zero/Weigh, Units, Hold/Recall
<b>DISPLAY UNITS</b>	Pounds / Kilograms
<b>HOLD</b>	Can be pressed manually. Additionally a stable weight is automatically stored in memory once stable. Press RECALL to retrieve.
<b>SRV411i POWER</b>	AC wall power supply (UL recognized) Scale will stay on and ready for use.
<b>SRV415i POWER</b>	(6) "AA" batteries Scale will auto power off after (1) minute of non-use.
<b>SCALE WEIGHT</b>	Scale weighs only 14 Lbs. and has a integrated handle for easy lifting.
<b>SERIAL DATA OUTPUT</b>	9-pin serial data output can be used to send weight data EHR/EMR through send / get commands. *SRV411i only*
<b>WARRANTY</b>	Two (2) Years



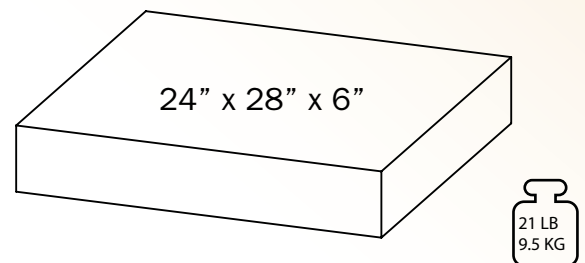
### ACCESSORIES AND OPTIONS

DESCRIPTION	PART NUMBER
REPLACEMENT AC ADAPTOR	FRGSM06U09P1J

### DIMENSIONS in [cm]



### PACKAGING



Specifications subject to change without notice.