

# Mobile Platform Scale

## Model **SRV945/947/949**

Whether you are a mobile or stationary veterinary practice, SR Mobile Platform Scales offer a durable and reliable option. The SRV945, SRV947, and SRV949 are lightweight scales designed for veterinarians and zoo keepers to obtain weights by taking the scale to the animal.

Constructed of high strength aluminum, the SRV94X Series is as durable as it is functional. The scale surface has an extremely durable polyurea coating that offers grip along with ease of cleaning.

Although lightweight, the SRV94X series still offers an impressive 400lb weight capacity. Optionally, the scale can be remotely operated using the SR Scales app on your phone or tablet.

---

**SRV945**

24" x 36" with built in readout

---

**SRV947**

24" x 48" with built in readout

---

**SRV949**

24" x 60" with built in readout

---

**BATTERY OPERATED**

6 "AA" batteries. Auto Power Down (APD) programmable from 60 - 300 seconds.

---

**OPTIONAL EQUIPMENT**

Bluetooth module required for use with SR Scales App (must be factory installed).



SRV947 Shown

# Mobile Platform Scale

## Model SRV945/SRV947/SRV949

**SR Scales**<sup>®</sup>  
by SR Instruments, Inc.

Quality. Reliability. Accuracy.

### SYSTEM SPECIFICATIONS

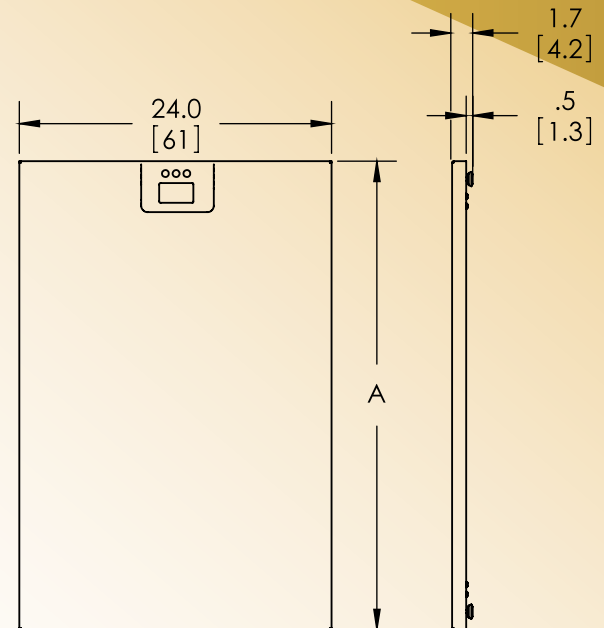
<b>MAX WEIGHT</b>	<b>SRV945:</b> 400 lb / 182 kg <b>SRV947:</b> 400 lb / 182 kg <b>SRV949:</b> 400 lb / 182 kg
<b>DISPLAY RESOLUTION</b>	<b>SRV945:</b> .2 lb / .1 kg <b>SRV947:</b> .2 lb / .1 kg <b>SRV949:</b> .2 lb / .1 kg
<b>BUTTON FUNCTIONS</b>	Zero/Weigh, lb/kg, Hold/Recall
<b>DISPLAY UNITS</b>	Pounds / Kilograms
<b>MODEL SIZE</b>	<b>SRV945:</b> 24" x 36" (dim A) <b>SRV947:</b> 24" x 48" (dim A) <b>SRV949:</b> 24" x 60" (dim A)
<b>HOLD</b>	Freezes the weight on the display
<b>POWER</b>	Six (6) AA Batteries
<b>PORTIBILITY</b>	Recessed handles built into the bottom of the scale
<b>AUTO ZERO</b>	One button operation
<b>SCALE WEIGHT</b>	<b>SRV945:</b> 27 Pounds <b>SRV947:</b> 36 Pounds <b>SRV949:</b> 45 Pounds
<b>WARRANTY</b>	Two (2) Years

### ACCESSORIES AND OPTIONS

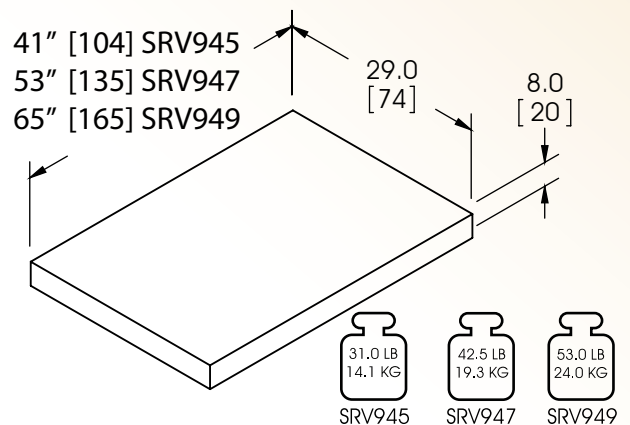
DESCRIPTION	PART NUMBER
<b>24" X 36" WIRELESS</b>	SRV945-BT
<b>24" X 48" WIRELESS</b>	SRV947-BT
<b>24" X 60" WIRELESS</b>	SRV949-BT

Please note the wireless models still have the built in display as well. The addition of the wireless will also consume more battery and is not recommended for facilities that take a high volume of weights such as a veterinary clinic.

### DIMENSIONS in [cm]



### PACKAGING



Specifications subject to change without notice.